

4

3

2

1

B

B

A

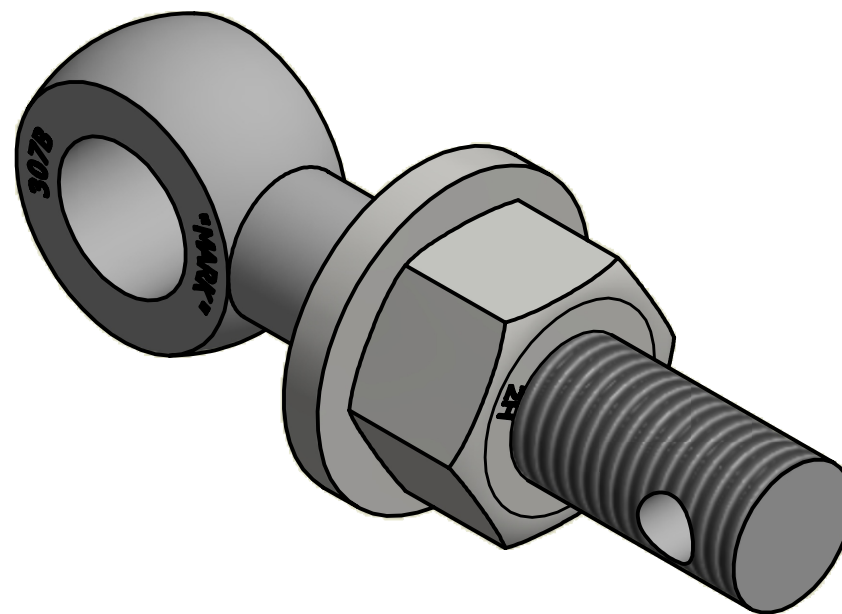
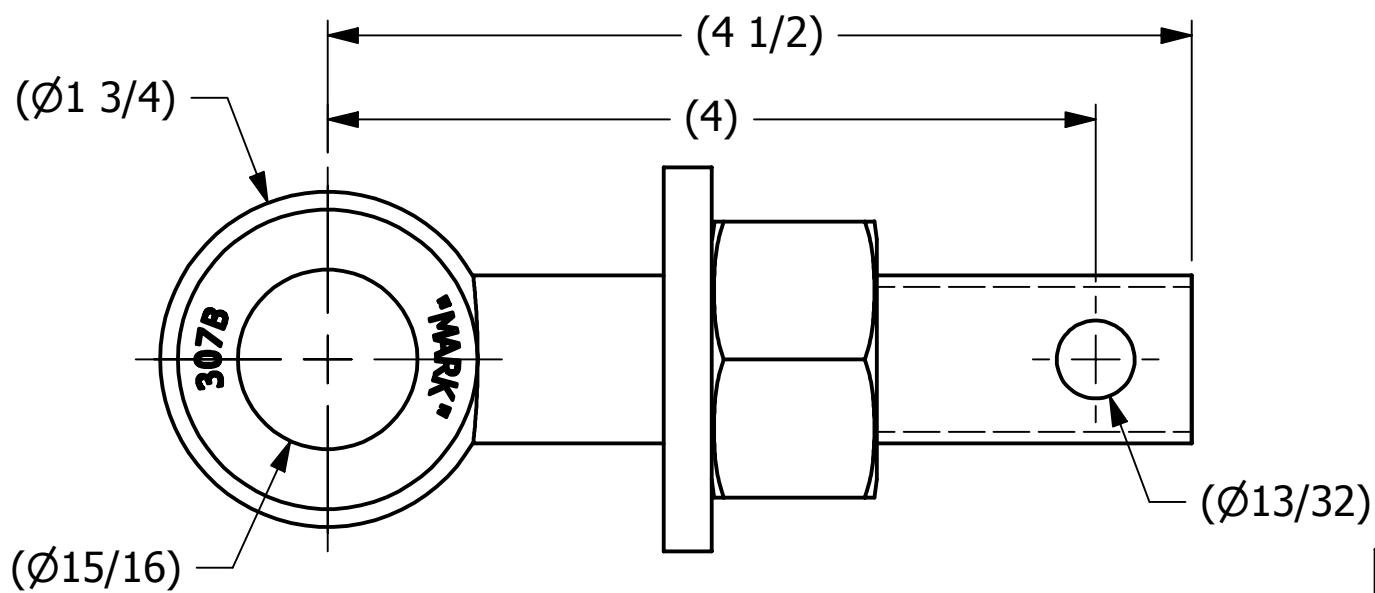
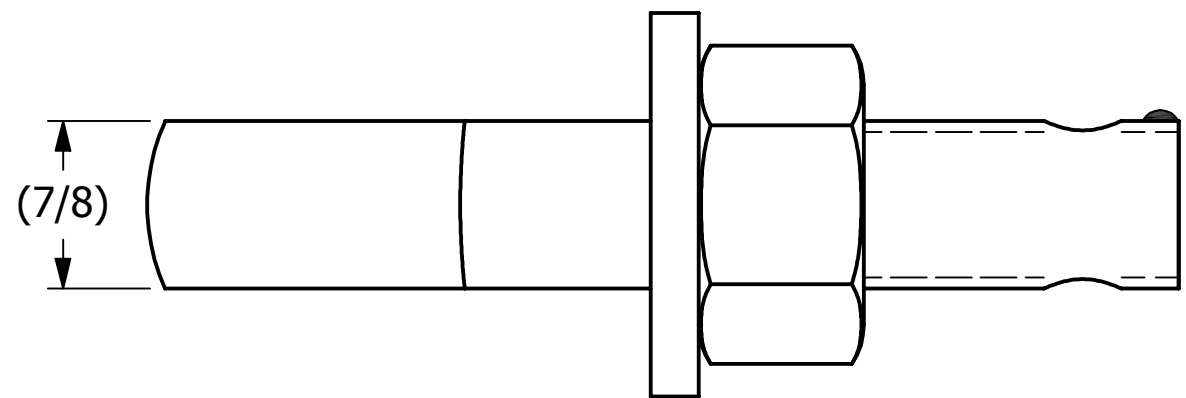
A

A

A

SALES DRAWING

SALES DRAWING



ISOMETRIC VIEW

| REV | BY  | DATE    | DESCRIPTION              |
|-----|-----|---------|--------------------------|
| B   | CHL | 3-17-09 | CHANGED EYEBOLT MATERIAL |
| A   | CHL | 1-3-08  | NEW PART ADDED TO SYSTEM |

|   |       |                             |          |
|---|-------|-----------------------------|----------|
| UNLESS OTHERWISE SPECIFIED<br>DIMENSIONAL TOLERANCES  |       | DRAWN BY:                   | CHL      |
| FRACTIONAL:   | ±1/16 | CHECKED BY:                 | PJG      |
| X.XX:   | ±.03  | PROTOTYPE BY:               | CHL      |
| X.XXX:  | ±.015 | PROTOTYPE DATE:             | 9/4/2007 |
| ANGULAR:  | ±1°   | APPROVED FOR PRODUCTION BY: | PJG      |
| THIS PRINT, PROPERTY OF SALCO PRODUCTS INC.,<br>CONTAINS PROPRIETARY INFORMATION AND MUST<br>NOT BE COPIED, REPRODUCED, OR USED<br>DETRIMENTALLY TO OUR INTEREST. |       | PRODUCTION DATE:            | 1/3/2008 |
| THIRD ANGLE PROJECTION  |       |                             |          |
|   |       |                             |          |

|   |         |                             |        |
|---|---------|-----------------------------|--------|
|   |         |                             |        |
| PART NAME:<br><b>EYEBOLT ASSEMBLY 7/8"X4 1/2"</b> |         |                             |        |
| MATERIAL: <b>CARBON STEEL</b>                     |         |                             |        |
| PROJECT #:  | WAG0426 | SHEET #:                    | 1 OF 1 |
| DRAWING #:  |         | SCALE: 1:1                  |        |
| <b>B24080</b>                                     |         | PART #:<br><b>EB7845XHA</b> |        |